



VLB-5X-SS

Self-contained LED lantern for buoys and beacons up to 5,5 NM range

The VLB-5X-SS includes the latest LED technology, new battery technology, and an advanced charging algorithm, which supports the battery to perform well in extreme weather conditions.

Benefits include:

- Optical range – 5.5 NM
- Battery technology and advanced charging algorithm
- Excellent battery life in hot climates
- Excellent battery capacity in cold climates
- The 5X battery will continue to charge between -40°C and 65°C
- Five colours meeting IALA chromaticity requirements
- Light intensity automatically adjusts with flash character setting (Schmidt-Clausen)
- 12 options for day to night transition light levels
- More than 256 flash characters
- Calendar control of beacon operation
- Alarm output (system notification)
- Available with GPS synchronization



Optical Performance

Maximum peak intensity

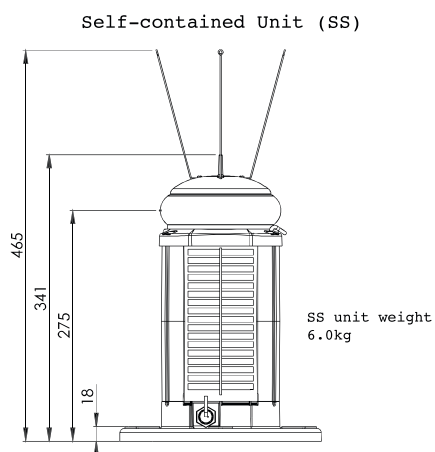
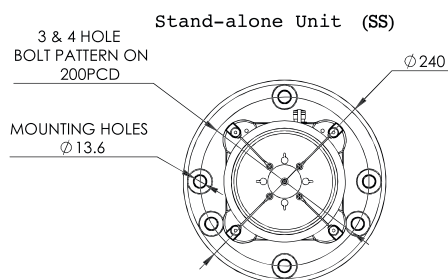
7°	177cd	177cd	177cd	157cd
----	-------	-------	-------	-------

Optical specification

Light source	High Power Light Emitting Diode (LED)
Vertical divergence	7° @ 50% peak
Temperature control	LEDs monitored for constant intensity control and over temperature protection

Main Technical Specification

Nominal Range	Up to 5.5 NM
Lens	Moulded acrylic (PMMA)
Base	Injection Moulded UV Stabilized Nylon 6/6 with 30% glass fill
Body	Injection Moulded UV Stabilized Nylon 6/6 with 30% glass fill
Designed service life	10 years (excluding battery)
Weight	6 kg
Flash character	256 standard characters plus custom character
Temperature range	-40° – +50°C
Battery capacity	12 Ah
Voltage	12 VDC (9-18 VDC)
Degree of protection	IP 68



Order Overview VLB-5X-SS

Option matrix

DP-AL-SW	Dataport, alarm/monitor & wire synch factory option
GS	Internal GPS sync module as factory option