



M850

**Self-contained LED lantern,
3 to 6+ NM Range**

The M850 combines a compact, high-efficiency solar engine with premium components and a rugged design for best-in-class performance at an optimal price. This lantern is suitable for use in most solar locations. To view performance in your installation location, visit www.sabik-marine.com ->Marine Selector Tool

- Option for standard or wide divergences (for fixed or floating applications)
- Multiple cost-effective battery pack options suitable for a wide variety of installation locations
- Built-in calendar function for automatic deactivation during off-season months
- Top-mounted 4-character LED display with simple »tap to activate« functionality
- Premium grade, UV resistant polycarbonate lens material
- Environmentally friendly, super durable powder-coated aluminium chassis
- Adjustable intensity and range
- IP 68 rated
- GPS synchronized flash option
- Remote monitoring options available



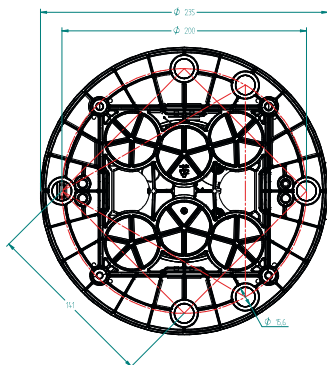
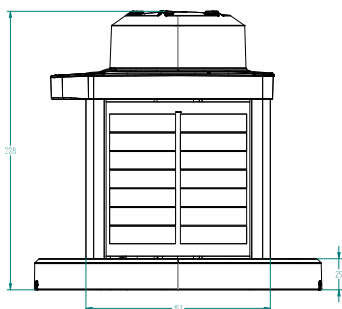
Optical performance

Maximum fixed intensity

| | | | | |
|------|--------|--------|--------|--------|
| M850 | 239 cd | 290 cd | 445 cd | 320 cd |
|------|--------|--------|--------|--------|

Main Technical Specification

| | |
|--|--|
| Lens visual/Mechanical diameter | 111 mm |
| Construction | Premium grade, UV resistant polycarbonate lens/head and polycarbonate/polysiloxane co-polymer base |
| Light source | High Flux Surface Mount LEDs with colour-specific temperature-corrected LED driver |
| Vertical Divergence (FWHM) | 8° (standard) or 10° (wide) |
| Solar modules | High-efficiency cells; MPPT; 4 x 1,7 W |
| Battery | Two replaceable, recyclable battery options, AMG sealed lead acid; 60 Wh / 6.3 V / 10 Ah capacity and 96 Wh / 6.3 V / 16 Ah capacity |
| Degree of ingress protection | IP 68 immersion |
| Weight | 4.5 kg M850 60X 5.3 kg M850 96E |
| Overall height | 226 mm |
| Overall width | 235 mm dia. |
| Installation | 3, 4 or 5 x M12 on 200 mm dia. |
| Charge port | Factory option |
| GPS sync | Factory option |
| Remote monitoring | Optional satellite monitoring |



Order Overview M850

Product codes

| Colour | M850 60X (GPS) (Sat. monitoring) | M850 96E (GPS) (Sat. monitoring) |
|--------|----------------------------------|----------------------------------|
| red | M850R-60X (-GPS)(-MON) | M850R-96E (-GPS)(-MON) |
| green | M850G-60X (-GPS)(-MON) | M850G-96E (-GPS)(-MON) |
| white | M850W-60X (-GPS)(-MON) | M850W-96E (-GPS)(-MON) |
| yellow | M850Y-60X (-GPS)(-MON) | M850Y-96E (-GPS)(-MON) |