



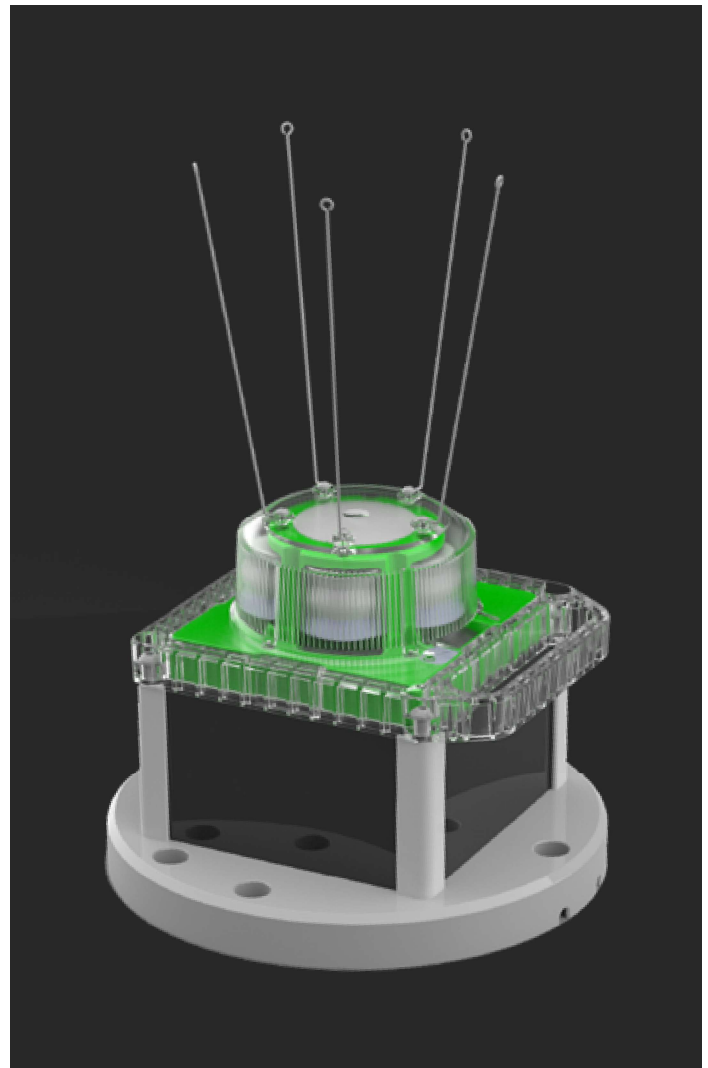
## M840

**Component lantern 4 to 7 NM range, input 12/24VDC**

GPS sync, Bluetooth control and Satellite monitoring options

The M840 is a premium and full featured standalone component lantern for ranges up to 7 NM. It can be used both in fixed and floating installations. The lantern is powered via external 12 or 24 VDC source. With low power consumption the M840 is well suited for off-grid installations. Programming can be done with IR programmer or with Sabik Bluetooth Control from up to 50 meters away. The Lantern supports satellite remote monitoring and GPS Synchronization. Well tested and field proven design requires no regular maintenance except for external cleaning and has 10+ years design life in harsh marine environment.

- **Trusted by competent authorities around the globe**
- **Consistent and reliable performance in compact, durable and lightweight package**
- **Highly reliable, tested and well-proven design**
- **Supports remote monitoring, BT programming and automatic off-season deactivation**
- **Conforms to IALA recommendations for lit AtoN-equipment**
- **Premium grade, UV resistant polycarbonate lens material**
- **Long lasting and highly durable IP68 rated powder-coated aluminum chassis**



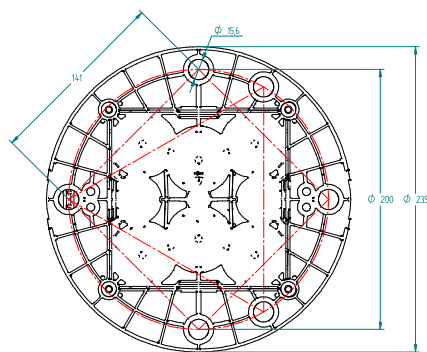
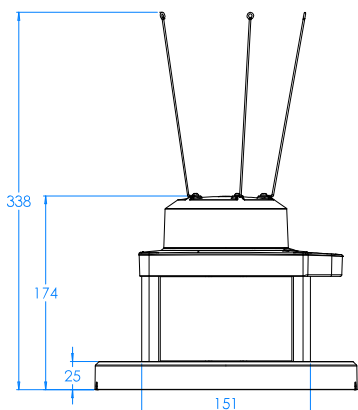
## Optical performance

### Maximum fixed intensity

M840	239 cd	290 cd	445 cd	320 cd
------	--------	--------	--------	--------

## Main Technical Specification

<b>Lens visual/Mechanical diameter</b>	111 mm
<b>Construction</b>	Premium grade, UV resistant polycarbonate lens/head and polycarbonate/polysiloxane co-polymer base
<b>Light source</b>	High Flux Surface Mount LEDs with colour-specific temperature-corrected LED driver
<b>Vertical divergence (FWHM)</b>	8° (standard) or 10° (wide)
<b>Nominal voltage / (range)</b>	12 or 24 VDC, (9-32VDC)
<b>Degree of ingress protection</b>	IP 68 immersion
<b>Weight</b>	1,9 kg
<b>Height (including bird spikes)</b>	338 mm
<b>Focal plane height (parallel to base)</b>	145 mm
<b>Overall width</b>	235 mm dia.
<b>Installation</b>	3 or 4 x M12 on 200 mm dia.
<b>GPS sync</b>	Factory option
<b>Remote monitoring</b>	Optional satellite monitoring



## Order Overview M840

### Product codes

#### Lens/Colour M840 colour/lens (GPS sync.) (sat. monitoring) (BT programming)

8° red	M840-R08D(-GPS)(-SAT)(-BLE)
8° green	M840-G08D(-GPS)(-SAT)(-BLE)
8° white	M840-W08D(-GPS)(-SAT)(-BLE)
8° yellow	M840-Y08D(-GPS)(-SAT)(-BLE)
10° red	M840-R10D(-GPS)(-SAT)(-BLE)
10° green	M840-G10D(-GPS)(-SAT)(-BLE)
10° white	M840-W10D(-GPS)(-SAT)(-BLE)
10° yellow	M840-Y08D(-GPS)(-SAT)(-BLE)