



M650H

Self-contained LED lantern for buoys and minor beacons, 2 to 4 NM Range

The M650H is a cost-effective, self-contained, high-performance, low-maintenance and easy-to-install solar LED marine lantern. The M650H features a replaceable battery pack that extends the service life beyond five years, reducing the total cost of ownership. Applications include: marine aids-to-navigation marking, marina lighting, dock lighting, and port lighting. To view performance in your installation location, visit www.sabik-marine.com ->Marine Selector Tool

- **Standard IALA colours**
red, green, white, yellow, blue
- **High-efficiency solar cells with bypass and blocking diode function. Maximum power point tracking (MPPT) for optimal energy collection**
- **Premium grade UV resistant, polycarbonate/ polysiloxane co-polymer body and lens material**
- **Colour-specific temperature corrected LED drivers provide consistent intensity under all operating conditions**
- **IP 68 rated. Double O-ring sealing with waterproof vent**
- **SLA battery**
- **Ventilated battery compartment**
- **Adjustable intensity and range**
- **Vertical divergence > 8° (FWHM)**
- **Programmable with On-Board User Interface, USB port, or optional wireless IR-Programmer**
- **Integrated event-log**
- **Optional ON/OFF switch**
- **Optional external charger**
- **Optional integrated GPS synchronization**



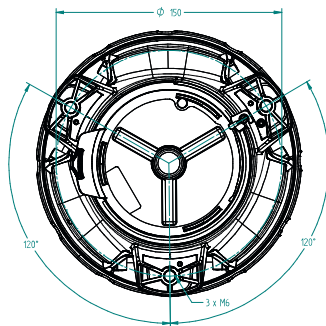
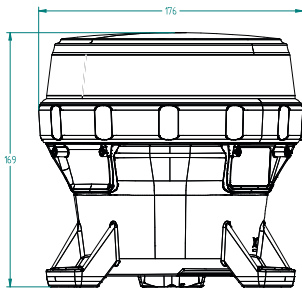
Optical performance

Maximum fixed intensity

31 cd	45 cd	60 cd	52 cd	15 cd
-------	-------	-------	-------	-------

Main Technical Specification

Lens visual/Mechanical diameter	165 mm
Lens material	UV stabilized Polycarbonate
Light source	High Power Light Emitting Diode (LED)
Vertical divergence	>8° (FWHM)
Solar module	High efficiency cells; bypass and blocking diodes; MPPT; 1.5 W
Battery	AGM sealed lead acid; 4.2 V / 5 Ah capacity
Degree of ingress protection	IP 68
Weight	1.58 kg
Overall height	169 mm
Overall width	176 mm dia.
Installation	3 x M6 on 150 mm dia.



Order Overview M650H

Product codes

Colour	M650H	M650H switched	M650H GPS	M650H switched GPS
red	M650HR	M650HR-S	M650HR-GPS	M650HR-SGPS
green	M650HG	M650HG-S	M650HG-GPS	M650HG-SGPS
white	M650HW	M650HW-S	M650HW-GPS	M650HW-SGPS
yellow	M650HY	M650HY-S	M650HY-GPS	M650HY-SGPS
blue	M650HB	M650HB-S	M650HB-GPS	M650HB-SGPS

Option matrix

M650H	
M650H Switched	ON/OFF switch
M650H Switched GPS	Includes GPS synchronization & ON/OFF switch
M650H GPS	Includes GPS synchronization

Accessories

57003	650 Bird Deterrent – Additional (1 ships with each lantern)
57392	650 Bottom Cover Replacement Pack Switched
57393	650 Bottom Cover Replacement Pack
59198	650 Bottom Cover Tool
72835	650 Battery Replacement Pack
59188	650 International Wall Charger Assembly
57394	650 USB Cable
69899	IR (Infrared) Programmer