



VRL91

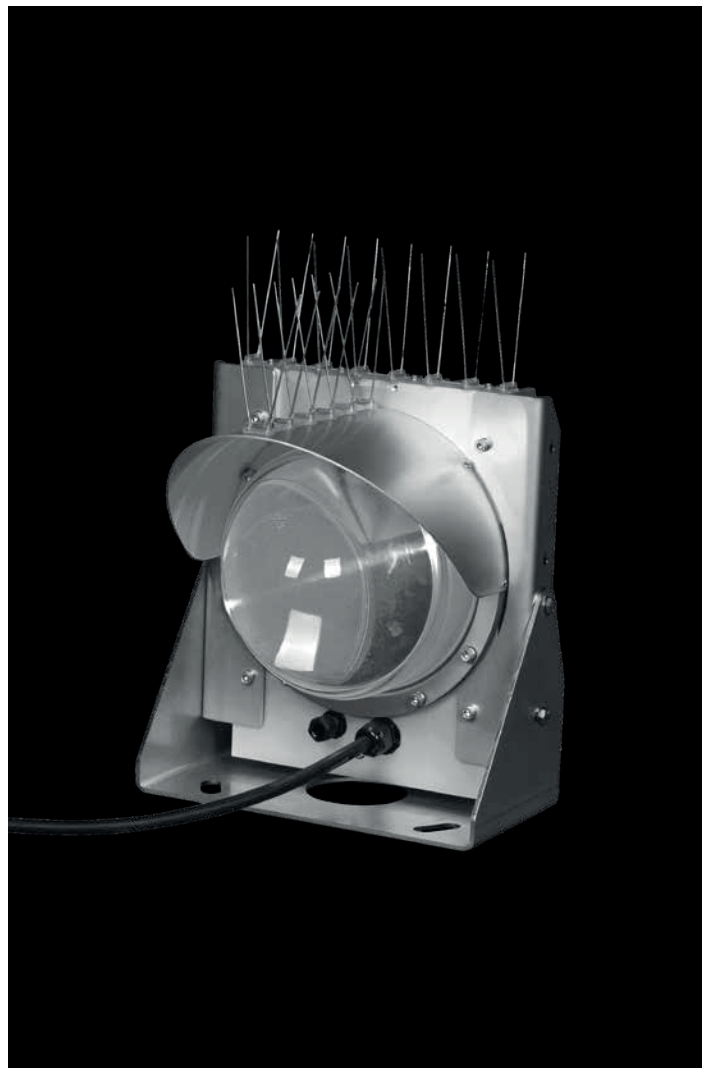
23 NM by night, 5,4 NM by day

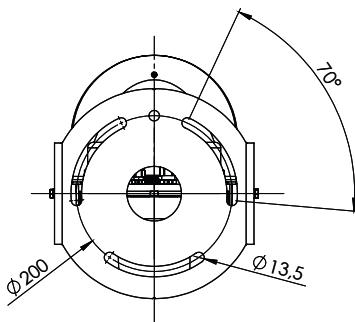
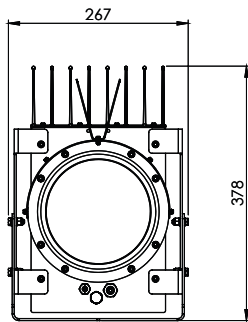
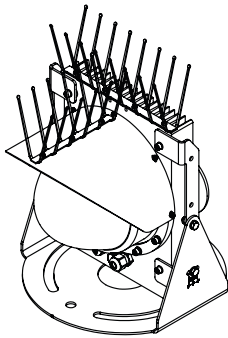
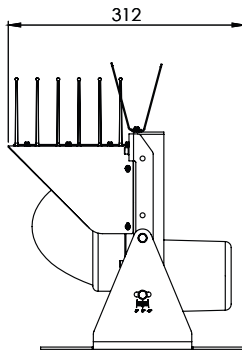
The VRL91 high power LED range light forms part of the Vega LED marine beacon family and is intended for applications requiring very high intensity.

A single white VRL91 lens using a single LED produces an intensity of up to 403000 cd, which provides a range of 23 NM at 0.74T with no background light.

Programming features (with IR remote programmer):

- Automatic Schmidt-Clausen intensity correction for short flashes
- Multiple effective intensity settings for both day and night operation
- Day/night transition level settings
- Fully programmable flash characters
- Range 38,2 NM by night and 6,9 NM by day @0.85T
- One programmable custom character
- Synchronisation control including master/slave options and sync delay (optional)
- Supply voltage monitoring
- Programmable low voltage cut out
- RS-232 data port compatible (optional)
- Optional security code





Optical performance

Maximum peak intensity

3°	136 000 cd	276 000 cd	500 000 cd
----	------------	------------	------------

Optical specification

Light source	High Power Light Emitting Diode (LED)
Horizontal divergence	3°
Vertical divergence	3°

Main technical specification

Nominal Range	Up to 23 NM
Lens	Machined cast acrylic
Body	Anodised marine grade aluminium
Weight	7.5 kg
Flash character	246 standard characters plus 1 custom character
Temperature range	-30° to +50°C / -22° to +122°F
Voltage	12 VDC / 24 VDC (10 - 30 VDC)
Degree of protection	IP67
Cable length	2 m / 6 m

Order Overview VRL91

Product code

Code	Note
VRL91-c-OPT	
c	Color (R, G, W)
OPT	Option

Option matrix

GS	Internal GPS as factory option
----	--------------------------------